

# AB3

## BIOETHANOL BURNER



ecosmart<sup>+</sup>  
Fire

Versatility and modern shape provide the ideal tool for individual fire designs – and the AB ethanol burners are at the heart of many EcoSmart fireplaces. A simple, elegant and powerfully effective stainless steel burner for residential and commercial applications.

**Included Accessories**



Jerry Can

Lighting Rod + Lighter

Operations Manual

Extension Spout

Top Tray

**Colour**

Available in Stainless Steel and Black.



**Consistent and Reliable**

It's minimalist design and ability to withstand extreme heat result in consistent and reliable operation at all temperatures and permitted fuel levels.

**Dedicated Filling Point**

A designated, in-built filling point to ensure the same procedures can be followed to decrease the likelihood of overfilling.

**Dual Function Lid**

A simple lid is used to extinguish the flame and cover the burner opening when it is not in use. This prevents dust particles, leaf litter, rain and debris from falling into the 304 grade stainless steel tank, leaving it clean and safe for use year round.

**Top Tray**

The Top Tray protects against heat transference and aids in the collection of accidental spillage.

To comply with EN 16647 the Top Tray must be installed before operating the burner.

**OPTIONAL ACCESSORIES**



Fire Screens



Fire Screen Fixings



Black Glass Charcoal

**FOR MORE INFORMATION PLEASE REFERENCE THE OPERATION & INSTALLATION MANUAL**

Disclaimer. All product specifications and data are subject to change without notice and believed to be correct at the time of publication. The Fire Company Pty Ltd (TFC), its affiliates, agents, and employees, and all persons acting on its or their behalf (collectively, "The Fire Company"), disclaim any and all liability for any errors, inaccuracies or incompleteness contained herein or in any other disclosure relating to any product. TFC disclaims any and all liability arising out of the use or application of any product described herein or of any information provided herein to the maximum extent permitted by law. The product specifications do not expand or otherwise modify TFC's terms and conditions of purchase, including but not limited to the warranty expressed therein, which apply to these products. No license, express or implied, by estoppel or otherwise, to any intellectual property rights is granted by this document or by any conduct of TFC. Customers using or selling TFC products not expressly indicated for use in such applications do so entirely at their own risk and agree to fully indemnify TFC for any damages arising or resulting from such use or sale. Please contact authorised personnel from TFC to obtain written terms and conditions regarding products designed for such applications. Images are indicative only.

# AB3



<b>Application</b>	Indoor & Outdoor				
<b>Materials</b>	Grade 304 Stainless Steel				
<b>Weight</b>	3.7kg [8.1lbs]				
<b>Colour &amp; SKU</b>	<table border="0"> <tr> <td><span style="display:inline-block; width:15px; height:15px; background-color:gray; border:1px solid black;"></span> Stainless Steel</td> <td>ESF.B.AB3.WTT</td> </tr> <tr> <td><span style="display:inline-block; width:15px; height:15px; background-color:black; border:1px solid black;"></span> Black</td> <td>ESF.B.AB3.WTT.BL</td> </tr> </table>	<span style="display:inline-block; width:15px; height:15px; background-color:gray; border:1px solid black;"></span> Stainless Steel	ESF.B.AB3.WTT	<span style="display:inline-block; width:15px; height:15px; background-color:black; border:1px solid black;"></span> Black	ESF.B.AB3.WTT.BL
<span style="display:inline-block; width:15px; height:15px; background-color:gray; border:1px solid black;"></span> Stainless Steel	ESF.B.AB3.WTT				
<span style="display:inline-block; width:15px; height:15px; background-color:black; border:1px solid black;"></span> Black	ESF.B.AB3.WTT.BL				
<b>Fuel Type</b>	e-NRG Bioethanol				

## BURNER VENTILATION & EFFICIENCY\*

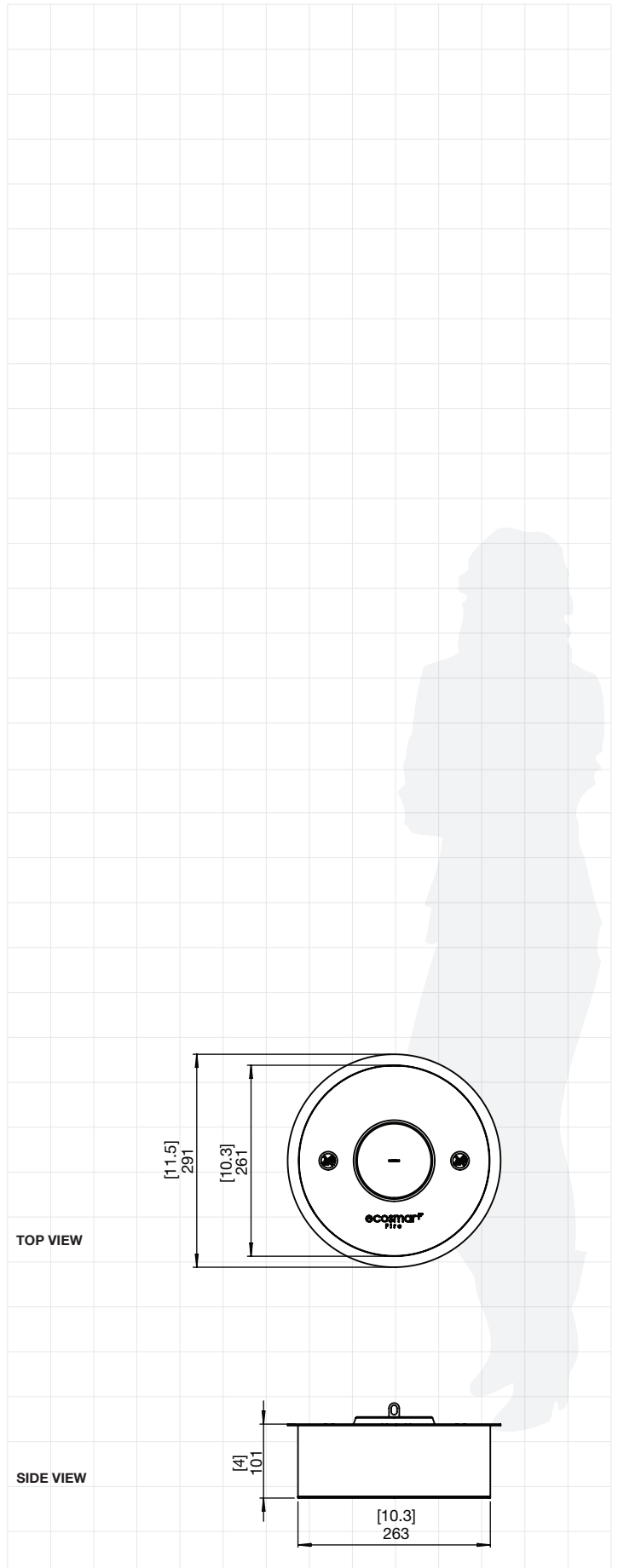
<b>Fuel Capacity</b>	2.5 Litres [0.7 Gallons]
<b>Heats on Average</b> (when used indoors)	Over 20 square metres [215 square feet]
<b>Fuel Consumption</b>	0.31 L/h [0.1 Gal/h]
<b>Thermal Output Net (MAX)</b>	6.14 MJ/h - 5,800 BTU/h - 1.7 kW
<b>Burn Time</b>	8 - 11 hours (approx)
<b>Minimum Room Size</b>	40 cubic metres [1413 cubic feet] per fireplace.
<b>Optional Accessories</b>	Twin Feet Fixings, Fire Screens, Decorative Media

Read the manual carefully before operating the burner. Physical model dimensions should be verified against cut out dimensions BEFORE installation begins to confirm tolerances align.

\* These values are indicative only and may vary depending on the model purchased, installation, and the seasonal resource used to manufacture e-NRG.

### Global Compliance

All burners are UL Listed in accordance with MH46715/Subject1370 in the USA, Certified by BSI in accordance with EN16647 (excluding VB2), and comply with the ACCC Safety Mandate for Australia.

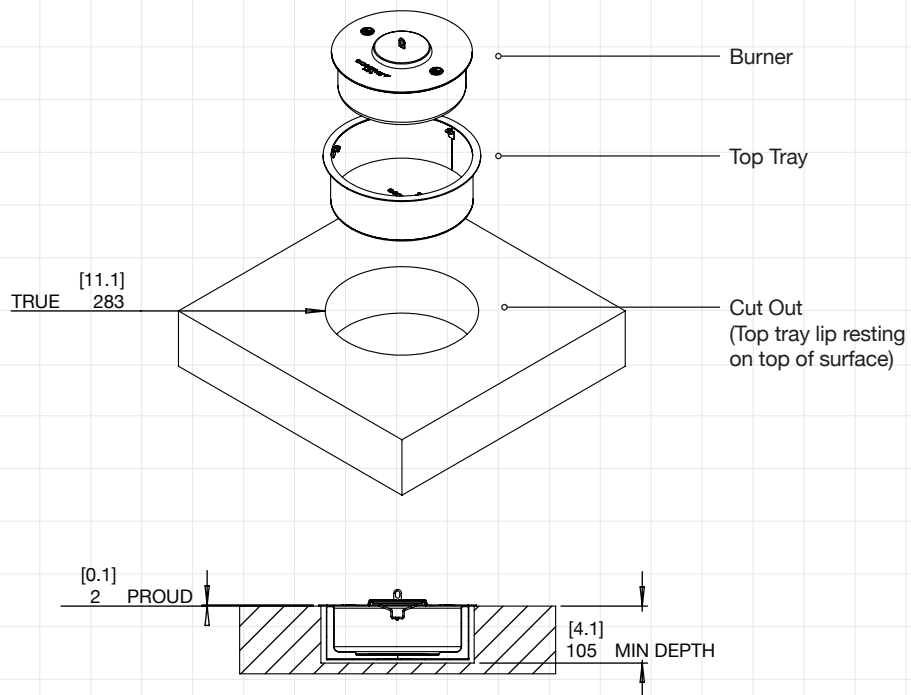


## FOR MORE INFORMATION PLEASE REFERENCE THE OPERATION & INSTALLATION MANUAL

Disclaimer. All product specifications and data are subject to change without notice and believed to be correct at the time of publication. The Fire Company Pty Ltd (TFC), its affiliates, agents, and employees, and all persons acting on its or their behalf (collectively, "The Fire Company"), disclaim any and all liability for any errors, inaccuracies or incompleteness contained herein or in any other disclosure relating to any product. TFC disclaims any and all liability arising out of the use or application of any product described herein or of any information provided herein to the maximum extent permitted by law. The product specifications do not expand or otherwise modify TFC's terms and conditions of purchase, including but not limited to the warranty expressed therein, which apply to these products. No license, express or implied, by estoppel or otherwise, to any intellectual property rights is granted by this document or by any conduct of TFC. Customers using or selling TFC products not expressly indicated for use in such applications do so entirely at their own risk and agree to fully indemnify TFC for any damages arising or resulting from such use or sale. Please contact authorised personnel from TFC to obtain written terms and conditions regarding products designed for such applications. Images are indicative only.

## AB3 CUT OUT DIMENSIONS

Physical model dimensions should be verified against cut out dimensions BEFORE installation begins to confirm tolerances align.



FOR MORE INFORMATION PLEASE REFERENCE THE OPERATION & INSTALLATION MANUAL

Disclaimer. All product specifications and data are subject to change without notice and believed to be correct at the time of publication. The Fire Company Pty Ltd (TFC), its affiliates, agents, and employees, and all persons acting on its or their behalf (collectively, "The Fire Company"), disclaim any and all liability for any errors, inaccuracies or incompleteness contained herein or in any other disclosure relating to any product. TFC disclaims any and all liability arising out of the use or application of any product described herein or of any information provided herein to the maximum extent permitted by law. The product specifications do not expand or otherwise modify TFC P/Ls terms and conditions of purchase, including but not limited to the warranty expressed therein, which apply to these products. No license, express or implied, by estoppel or otherwise, to any intellectual property rights is granted by this document or by any conduct of TFC. Customers using or selling TFC products not expressly indicated for use in such applications do so entirely at their own risk and agree to fully indemnify TFC for any damages arising or resulting from such use or sale. Please contact authorised personnel from TFC to obtain written terms and conditions regarding products designed for such applications. Images are indicative only.