

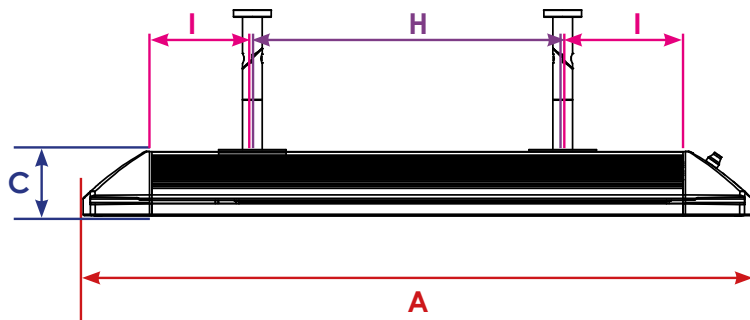
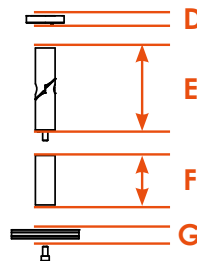
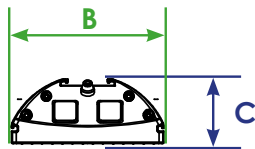
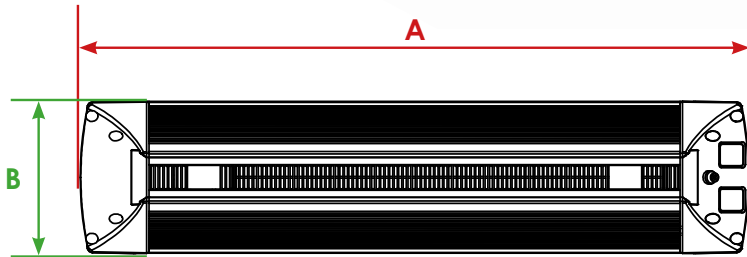
TECHNICAL DATA

HEATSCOPE Spot power heater

Voltage	230 V AC ~ – 50/60 Hz
Power	1600 W / 2200 W / 2800 W
Amperage	7.83 A / 9.57 A / 12.17 A
Cable	1.1 m / 3 x 1.5 mm ² oder 1.1 m / 4 x 1.5 mm ² oder 1.1 m / 4 x 1.5 mm ²
Temperature surface	400 °C
Temperature housing	max. 130 °C
Filament temperature	1200-1300 °C
Colour temperature	1550-1650 K
max. power in	ca. 10 sec.
Visible light	< 600 Lux
recommended installation height	min. 1.8 m / max. 3 m
IP safety class	IP 44 (well covered or with optional weather shield)
Control	manually/external: ON/OFF + 100%, 50% or: via IR-Remote Control ON/OFF + 100%, 80%, 50%



HEATSCOPE SPOT



	A	B	C	D	E	F	G	H	I
MHS-SM1600 MHS-SP1600	670 mm	184 mm	82 mm	9 mm	100 mm	60 mm	11 mm	≤ 240 mm	≥ 135 mm
MHS-SM2200 MHS-SP2200	810 mm							≤ 300 mm	≥ 175 mm
MHS-SM2800 MHS-SP2800	890 mm							≤ 370 mm	≥ 175 mm