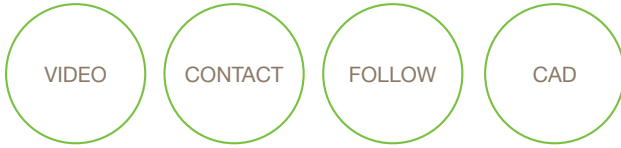


1200DB

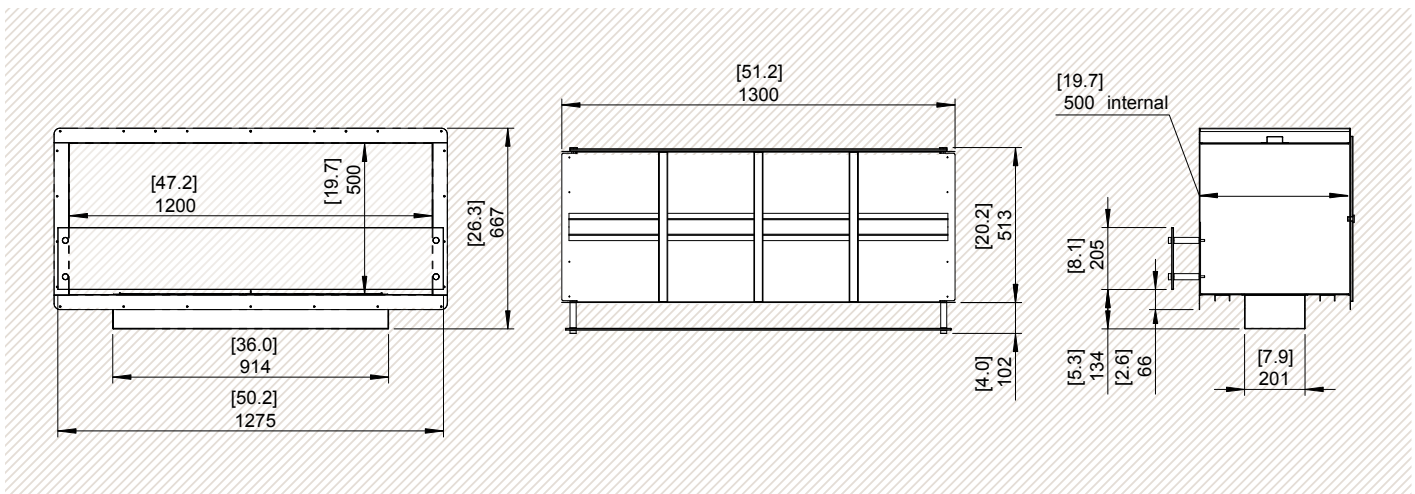
FIREPLACE INSERTS

ecosmart⁺
Fire
www.ecosmartfire.com

FIREPLACE INSERTS



External Dimensions	H 667mm W 1300mm D 513mm H 26.3in W 51.2in D 20.2in
Internal Dimensions	H 500mm W 1200mm D 500mm H 19.7in W 47.2in D 19.7in
Weight	40kgs, 88.2lbs
Materials	Brushed Stainless Steel, Toughened Glass
Application	Indoor & Outdoor
Compatible Burner	XL900



Disclaimer: All product specifications and data are subject to change without notice and believed to be correct at the time of publication. The Fire Company Pty Ltd (TFC), its affiliates, agents, and employees, and all persons acting on its or their behalf (collectively, "The Fire Company"), disclaim any and all liability for any errors, inaccuracies or incompleteness contained herein or in any other disclosure relating to any product. TFC disclaims any and all liability arising out of the use or application of any product described herein or of any information provided herein to the maximum extent permitted by law. The product specifications do not expand or otherwise modify TFC P/Ls terms and conditions of purchase, including but not limited to the warranty expressed therein, which apply to these products. No license, express or implied, by estoppel or otherwise, to any intellectual property rights is granted by this document or by any conduct of TFC. Customers using or selling TFC products not expressly indicated for use in such applications do so entirely at their own risk and agree to fully indemnify TFC for any damages arising or resulting from such use or sale. Please contact authorised personnel from TFC to obtain written terms and conditions regarding products designed for such applications.

CLEARANCES

These models are suitable for use both indoors and outdoors.

There are no requirements for side and/or overhead clearances as spacers are part of the design.

The Firebox cavity should include a layer of insulation prior to inserting the Firebox using a rock wool or fibreglass insulation fibre to limit heat transference. Missing heat insulation can cause overheating, which may result in damages to the material surrounding the Firebox.

DO NOT PACK REQUIRED AIR SPACES (THE SPACE BETWEEN THE FIREBOX AND THE SPACER) WITH INSULATION OR OTHER MATERIALS. THE AIR SPACES ARE NEEDED FOR PROPER VENTILATION OF THE BURNER.

INSTALLATION

The Renovator Range of zero clearance fireplace inserts (fireboxes) are designed for installation into a wall or cavity made from combustible or non-combustible materials. They are engineered specifically to accept EcoSmart™ Fire Burners.

Fireboxes must be installed into a fixed secure position before being operated. They can be fitted from either the front side of the flange or from the back of the flange (screwed, riveted or glued with a high temperature resistant bonding product) onto the surrounding structural framework.

The floor must be level and the Firebox positioned on a flat surface. The floor can be made of any material or fabric.

WARNING: Ensure that your fire is positioned away from flammable materials and other sources of ignition at all times. Pay very close attention to positioning the fire away from items that may move as a result of wind and drafts. For example trees/branches/curtains/paper and the like.

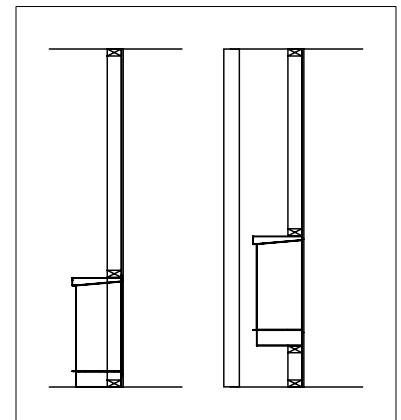
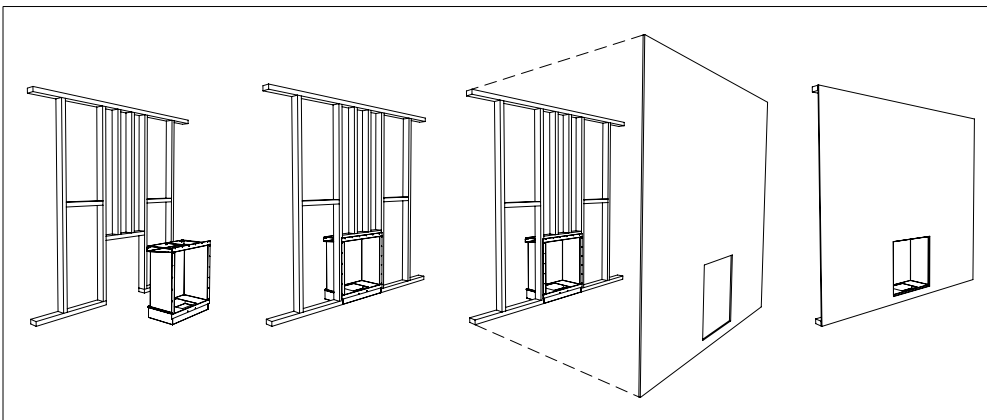
Note: Stainless steel will rust or corrode over time if contamination or debris is not cleaned or removed immediately. When not in use, it is recommended that you protect your fireplace from water damage or corrosion with a protective cover and always use the Burner Lid included with your model to safeguard the burner.

NOTICE: DO NOT INSTALL DIRECTLY BESIDE OR NEAR WALLPAPER, LAMINATE, VENEER OR ANY SURFACE THAT HAS NOT BEEN FIRE RATED (the heat will impact the material, and in some circumstances the glue used for its application). THIS INCLUDES THE DETAILING/FINISHING MATERIALS USED ON THE DECORATIVE SURFACES AROUND THE INSTALLED FIREBOX. REFER TO PRODUCT SPECIFICATION OF WALLPAPER, LAMINATE, VENEER OR GLUE FOR HEAT TOLERANCES.

Fireboxes are not designed to incorporate doors or opening covers (unless specifically purchased as a resolved item from The Fire Company Pty Ltd).

The Firebox must remain open at all times for ventilation – it is not designed to operate as an oven or similar “hot box” – the flame must have a constant supply of air to operate and be able to circulate and distribute the heat effectively.

Single-Sided Firebox Inserts



CLEARANCES & INSTALLATION

DOUBLE-SIDED FIREBOX INSERTS

Double-sided Fireboxes cannot be inserted into a one-way cavity wall, it must be a two-way cavity where the complete glass rear is free from obstruction. Do not apply pressure or materials to the glass. Double sided fireboxes are designed as wall divider inserts. The glass side is the back in all circumstances. If you do not comply with this installation instruction the wall could overheat and catch fire.

WARNING: Fire hazard. Install double-sided firebox only into a cavity open on both sides of the wall. Installing into closed cavity can cause overheating and fire.

WARNING: Fire hazard. Do not remove the rear glass panel. Air flow could push flames out the front or rear of the fireplace. The glass used in the EcoSmart™ Fire Firebox is toughened glass, which means it is stronger than normal glass and can withstand high temperature variations. Importantly, even though it is stronger, toughened glass still has weaknesses. The corners and sides are specific pressure points where it is more fragile and can break if care is not taken.

NOTICE: Handle glass with care. If glass is cracked or damaged, do not use range until glass is replaced.

In the case of breakage, toughened glass will shatter into small crystal-like pieces, which can cause potential injury and be a choking hazard for small children. We advise that the glass be handled with special care and that operation of the product should cease immediately if a fault is found. Breakage due to mishandling is not covered by warranty.

The Fire Company Pty Ltd is not liable for any damages arising from incorrect installation.

Note: Stainless steel will rust or corrode over time if contamination or debris is not cleaned or removed immediately. When not in use it is recommended that you protect your fireplace from water damage or corrosion with a protective cover and always use the Burner Lid included with your model to protect the burner.

Double-Sided Firebox Inserts

